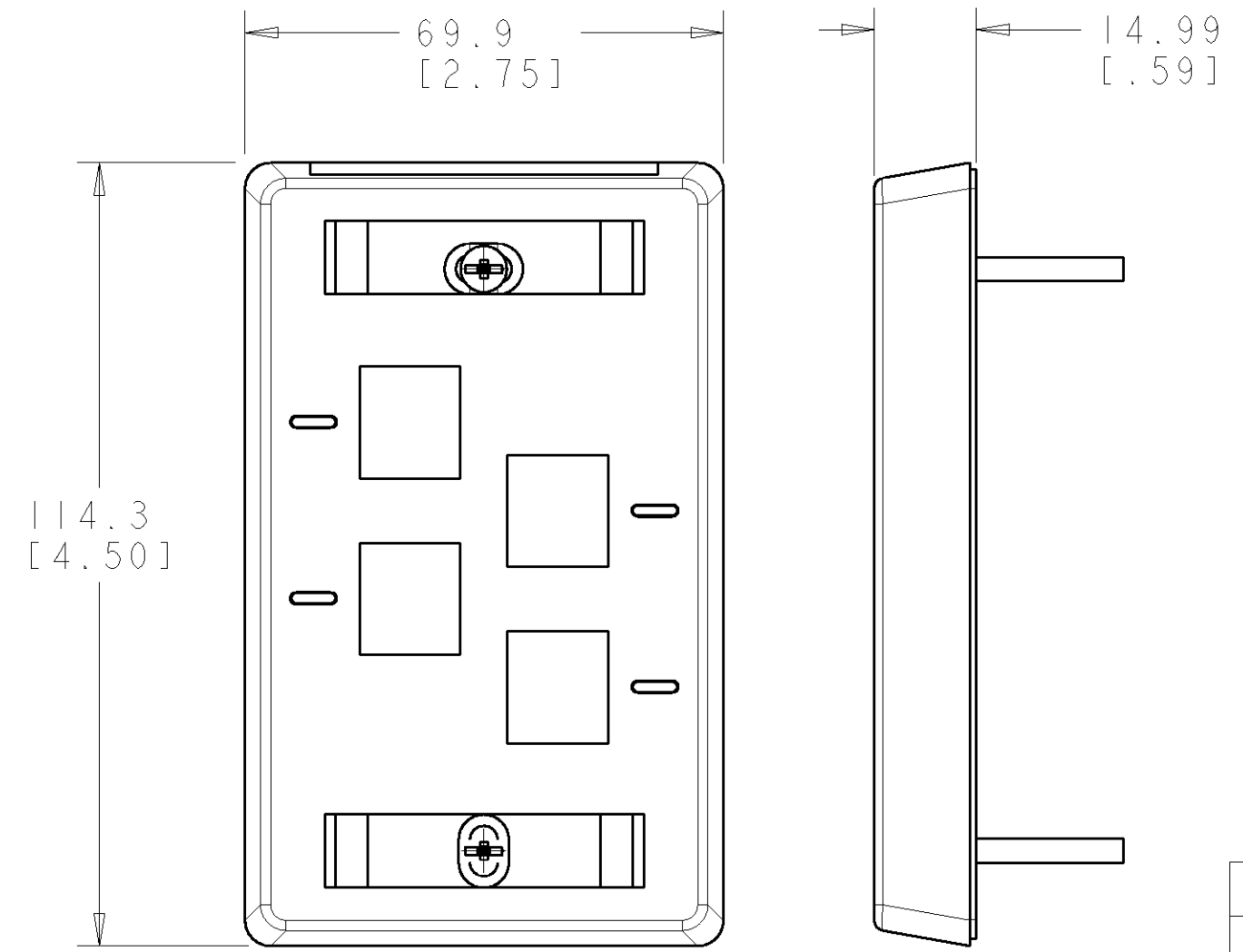
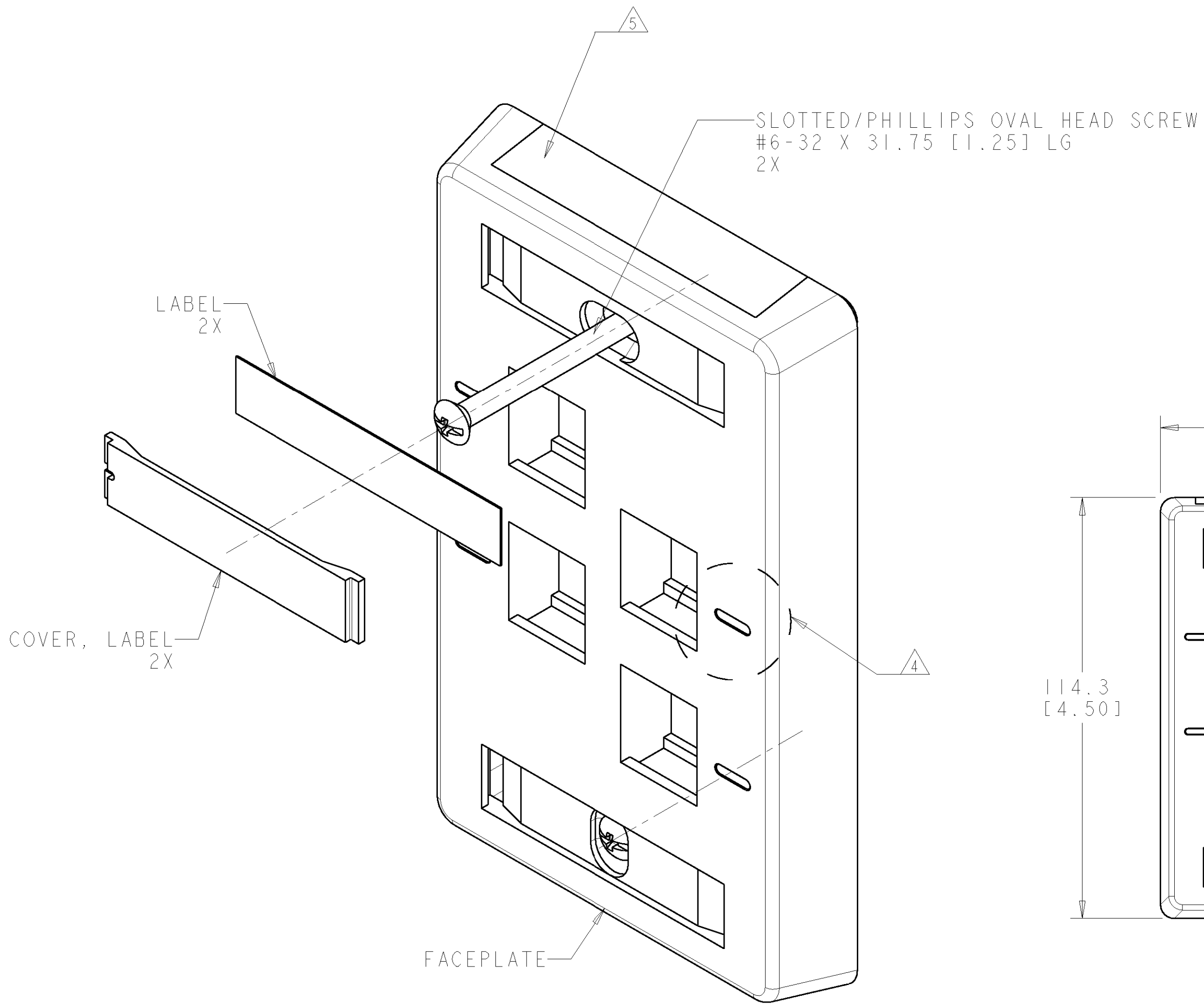


THIS DRAWING IS UNPUBLISHED. RELEASED FOR PUBLICATION 20
 © COPYRIGHT 20 BY TYCO ELECTRONICS CORPORATION. ALL RIGHTS RESERVED.

LOC	DIST	REVISIONS					
HM	00	P	LTR	DESCRIPTION	DATE	DWN	APVD
		F		ECO-05-008931 AND REDRAWN	27SEP2005	JM	GB
		G		ECO-06-012850	11JUL2006	JM	GB

- △1 DIMENSIONS ARE NOMINAL UNLESS OTHERWISE SPECIFIED.
- △2 MATERIAL:
FACEPLATE: ABS MOLDING COMPOUND. SEE TABLE FOR COLORS.
SCREWS: ZINC PLATED CARBON STEEL
COVER, LABEL: POLYCARBONATE MOLDING COMPOUND, CLEAR
LABEL: WHITE INDEX PAPER
- 3. KIT SHIPPED UNASSEMBLED.
- △4 MOLD OVER ICON FEATURE, 4X.
- △5 NON-TEXTURED AREA FOR LABEL, UP TO 9.65 [0.38] HIGH.



SCALE 1:1

ELECTRIC IVORY	1-557502-1
NEMA GRAY	557502-4
WHITE	557502-3
BLACK	557502-2
LIGHT ALMOND	557502-1
COLOR	PART NUMBER

THIS DRAWING IS A CONTROLLED DOCUMENT FOR TYCO ELECTRONICS CORPORATION. IT IS SUBJECT TO CHANGE AND THE CONTROLLING ENGINEERING ORGANIZATION SHOULD BE CONTACTED FOR THE LATEST REVISION.		DWN J. MCNEAL 27SEP2005	Tyco Electronics Harrisburg, PA 17105-3608	
DIMENSIONS: INCHES		CHK G. BOWMAN 27SEP2005	NAME FACEPLATE KIT, 4 PORT, STAGGERED, 110 CONNECT	
TOLERANCES UNLESS OTHERWISE SPECIFIED:		APVD G. BOWMAN 27SEP2005	PRODUCT SPEC -	
0 PLC ± 1 PLC ± 2 PLC ± 3 PLC ± 4 PLC ± ANGLES ± FINISH ±		APPLICATION SPEC 408-3282	RESTRICTED TO -	
MATERIAL △2 -	△2 -	WEIGHT -	SIZE A2	CAGE CODE 00779
CUSTOMER DRAWING		DRAWING NO. G-557502	SHEET 1 OF 1 REV G	